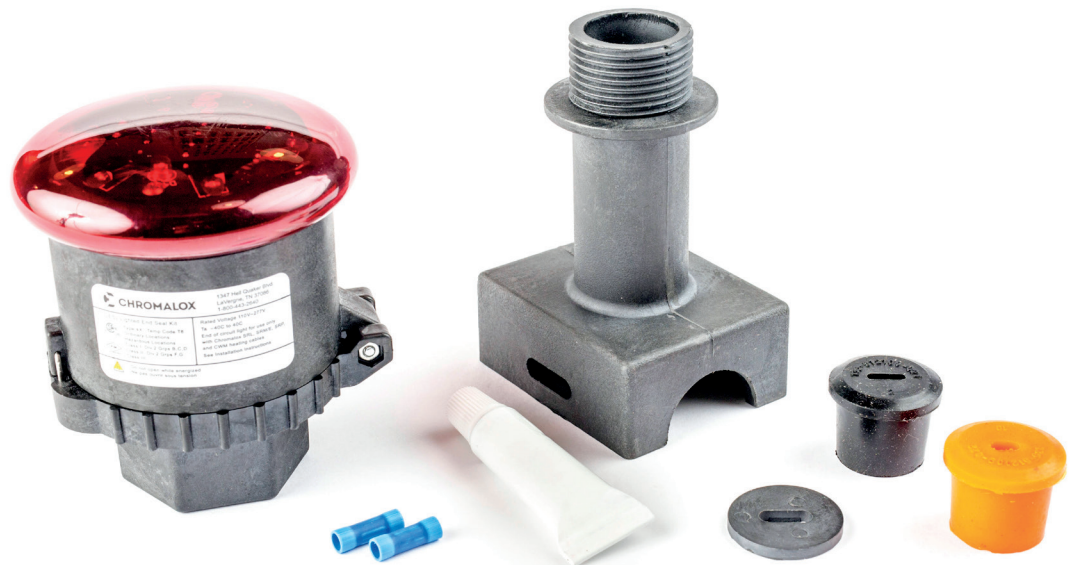


Installation Instructions

UESL Lighted End Seal Kit

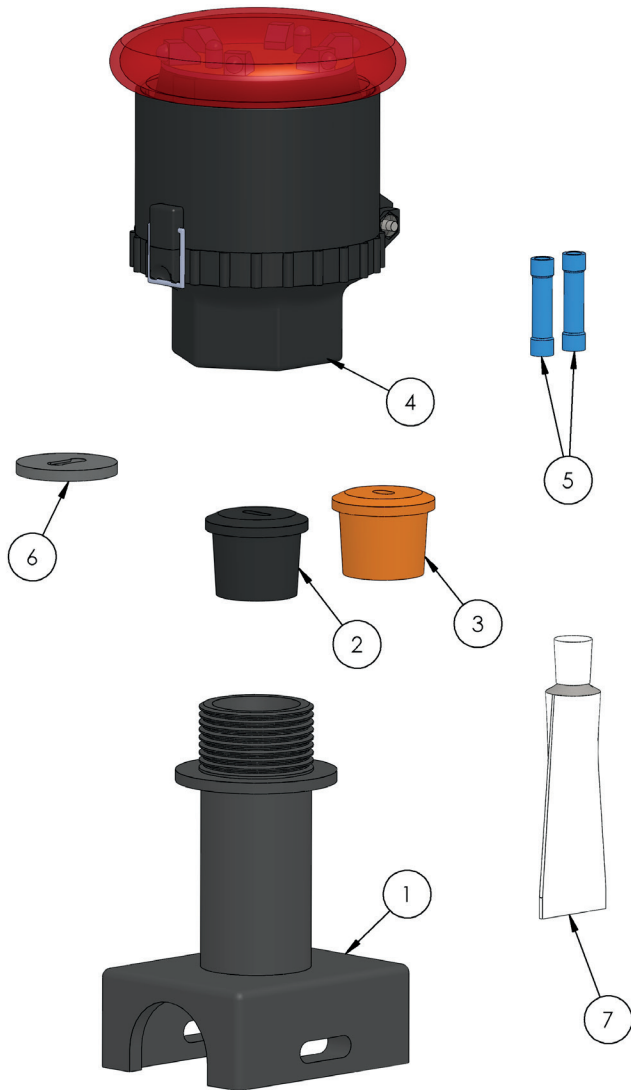
For Self-Regulating & Constant Wattage Heating Cables



PJ948-1
161-562581-073
January 2017

UESL Lighted End Seal Kit

Self-Regulating & Constant Wattage Heating Cable Installation Instructions



General

The UESL lighted end seal kit is used for electrical termination of self-regulating and constant wattage cables.

Each kit contains the terminations needed to make all electrical connections.

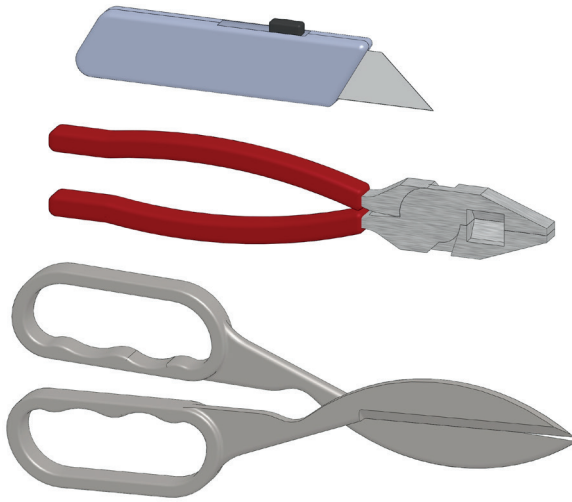
Item	Qty	Description
1	1	Pipe Standoff
2	1	Self-Regulating Cable Grommet
3	1	Constant Wattage Cable Grommet
4	1	120V-277V LED Assembly
5	2	Insulated Connectors
6	1	Strain Relief Part
7	1	RTV

Certifications and Approvals

IP66 NEMA/Type 4x -60°C ≤ Ta ≤ +55°C
 Ordinary & Hazardous Locations
 Class I, Division 2 Groups A,B,C, & D
 Class II, Division 2, Groups F & G, Class III



Tools Required for Kit Installation



Fiberglass Tape FT-3 (389941)



Order Separately

Caution Label CL-1 (382424)

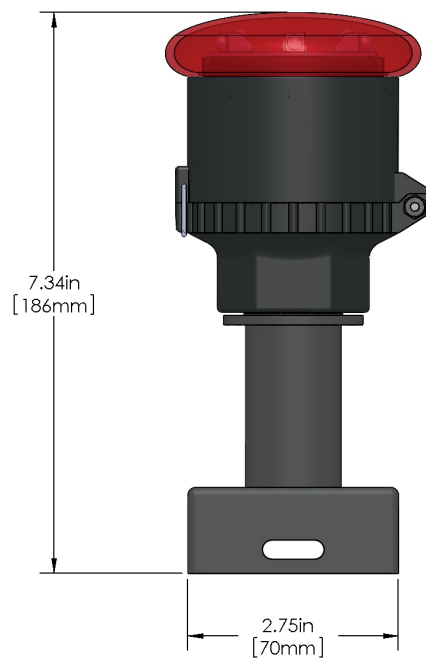
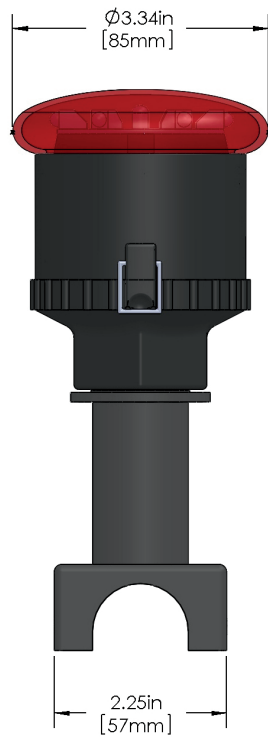


Pipe Straps

- PS - 1 (382352) - 1/2" to 3/4" pipes
- PS - 3 (382360) - 1" to 3-1/2" pipes
- PS - 10 (382379) - 2-1/2" to 9" pipes



Actual Kit Dimensions



Installation

⚠ WARNING

HAZARD OF ELECTRIC SHOCK. Disconnect all power before starting. All installations must be effectively grounded in accordance with the National Electrical Code.

⚠ WARNING

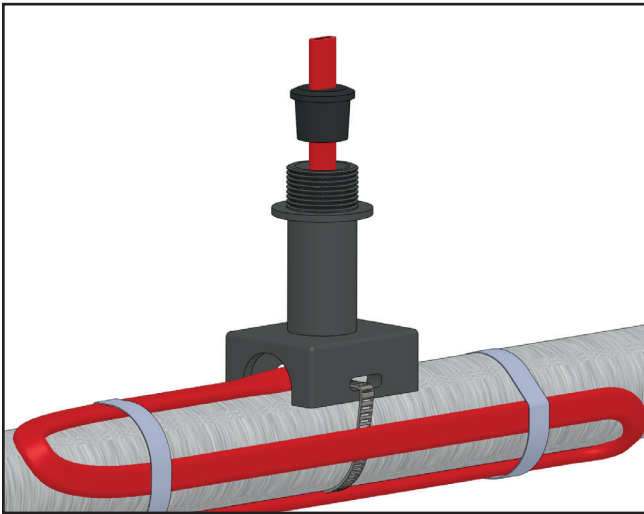
Turn off power before removing junction box cover at all times.

⚠ WARNING

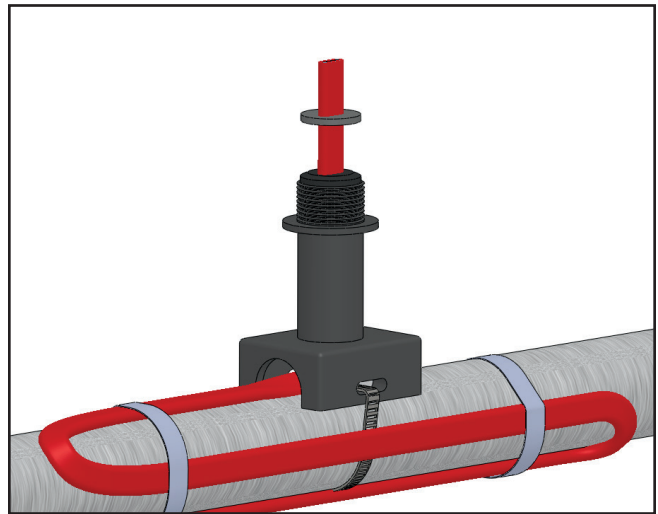
Users should install adequate controls and safety devices with their electric heating equipment. Where the consequences of failure may be severe, back-up controls are essential. Although the safety of the installation is responsibility of the user, Chromalox will be glad to assist in making equipment recommendations.

All Cable Instructions

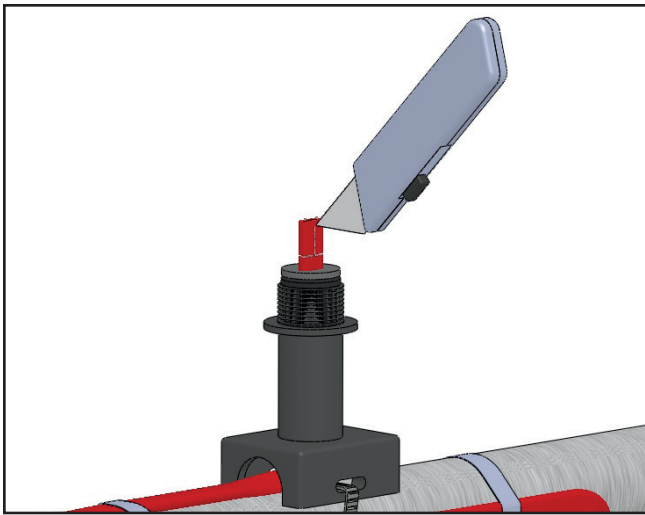
Braid Only and CWM Cable Special Instructions Denoted By *



1. Insert heating cable through pipe standoff and grommet as shown. 1-1/2 Inches of cable should extend past the grommet. Strap pipe standoff to pipe with pipe strap (Chromalox type PS not included, UESL to be mounted vertically only) and attach extra cable to pipe as appropriate. For pipes smaller than 1-1/2" diameter a small pipe adapter (Chromalox model SPA not included) is required.

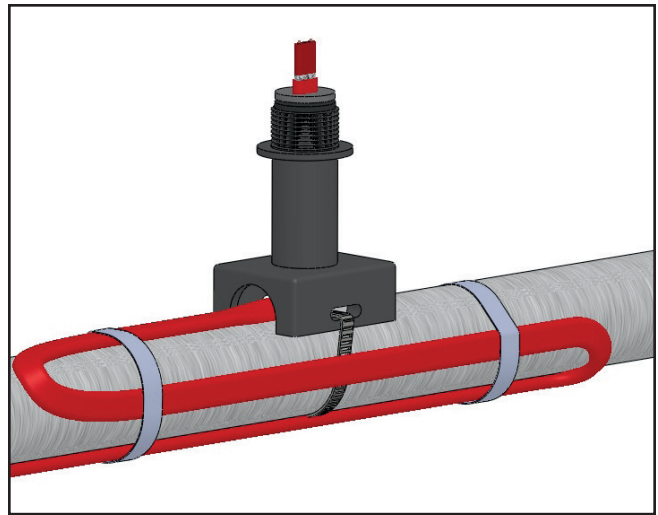


2. Place strain relief part onto cable until it is directly on top of the grommet.

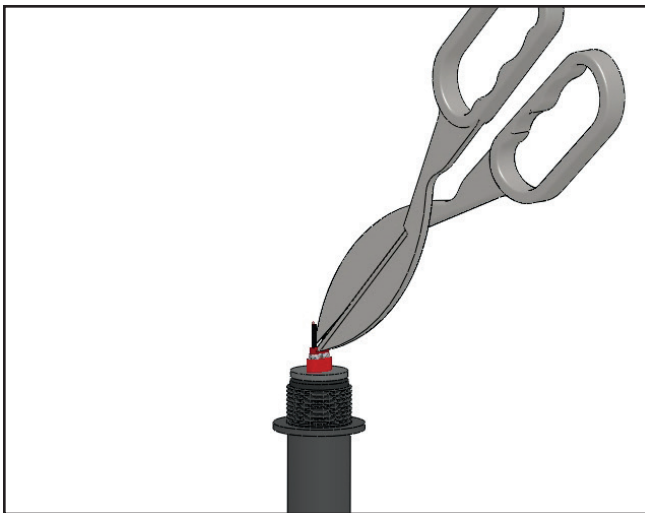


3. 1-1/4 Inches of cable should extend above the grommet. Score the outer insulation 1" from the end of the cable. Lightly cut the outer jacket up the center to end of heating cable and remove the jacket from the cable.

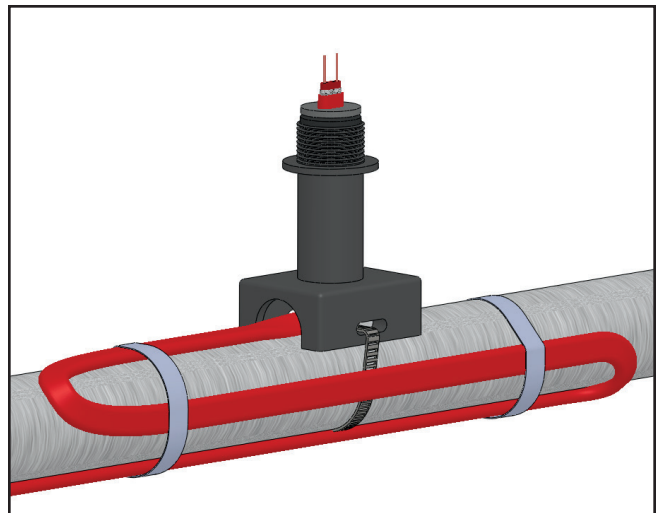
*Skip this step if using braid only cable



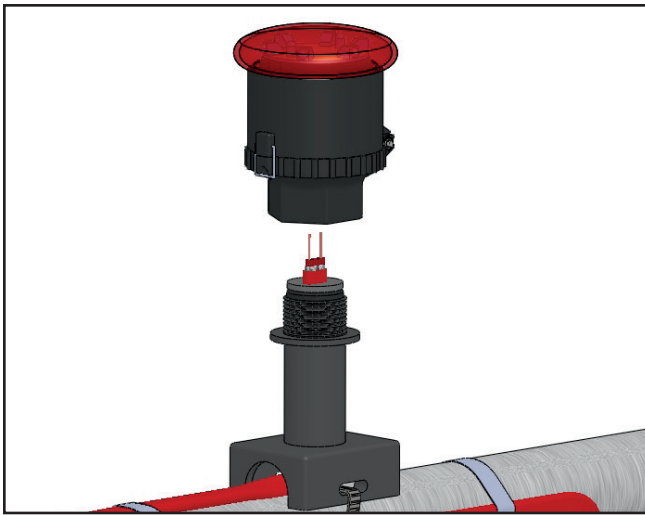
4. Using wire cutters, trim exposed grounding braid away from the end of the cable as shown. When trimming braid, trim as close to outer jacket as possible.



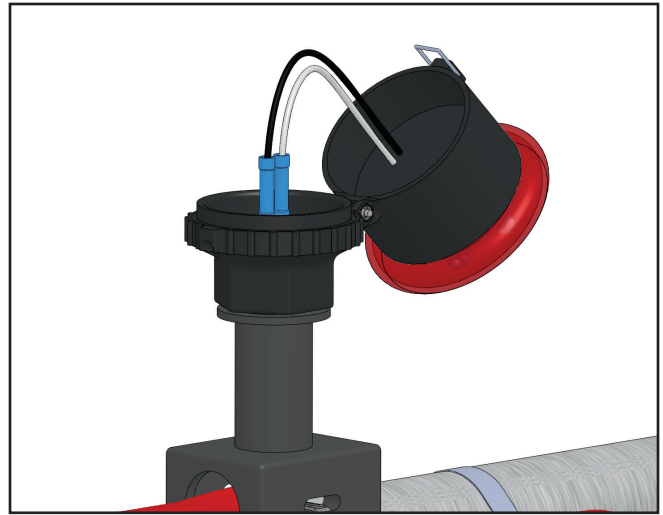
6. Score the inner insulation 1/2" from the end. Lightly cut the inner jacket up the center to end of heating cable and remove the inner jacket from the cable.



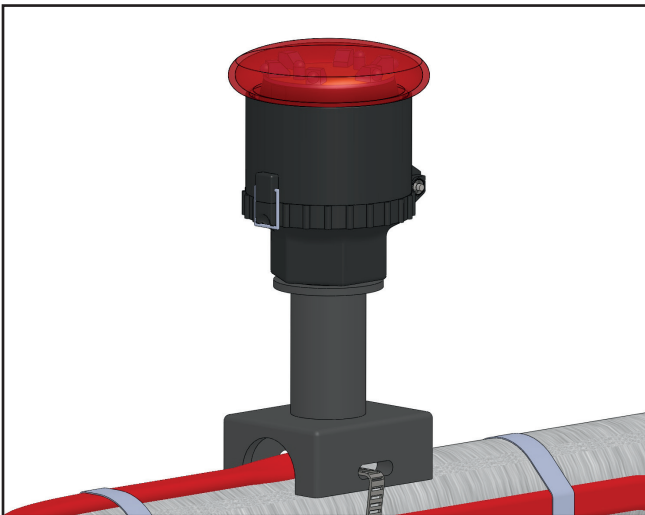
7. Use an exacto knife or similar tool to strip all remaining black material from bus wires. When stripping be careful not to damage or cut buss wires.



8. Attach LED Assembly to pipe stand off as shown. Liberally apply RTV over the exposed matrix and leads.



9. Using crimping tool crimp white wire from LED assembly to one buss wire and black wire to the other buss wire.



10. Close lid and snap locking mechanism in place. Finished UESL Lighted End Seal should look as shown.

Limited Warranty:

Please refer to the Chromalox limited warranty applicable to this product at
<http://www.chromalox.com/customer-service/policies/termsofsale.aspx>.

Chromalox
103 Gamma Drive
Pittsburgh, PA 15238
(412) 967-3800
www.chromalox.com