

WORLDWIDE HEADQUARTERS

Tel: 800-545-6258
Tel: 650-216-1526
Fax: 800-527-5703
Fax: 650-474-7711
thermal.info@pentair.com

BELGIË / BELGIQUE

Tel. +32 16 21 35 02
Fax +32 16 21 36 04
salesbelux@pentair.com

BULGARIA

Tel./fax +359 56 86 68 86
fax +359 56 86 68 86
salesee@pentair.com

ČESKÁ REPUBLIKA

Tel. +420 241 009 215
Fax +420 241 009 219
czechinfo@pentair.com

DANMARK

Tel. +45 70 11 04 00
Fax +45 70 11 04 01
salesdk@pentair.com

DEUTSCHLAND

Tel. 0800 1818205
Fax 0800 1818204
salesde@pentair.com

ESPAÑA

Tel. +34 902 125 307
Fax +34 91 640 29 90
ptm-sales-es@pentair.com

FRANCE

Tél. 0800 906045
Fax 0800 906003
salesfr@pentair.com

HRVATSKA

Tel. +385 1 605 01 88
Fax +385 1 605 01 88
salesee@pentair.com

ITALIA

Tel. +39 02 577 61 51
Fax +39 02 577 61 55 28
salesit@pentair.com

LIETUVA/LATVIJA/EESTI

Tel. +370 5 2136633
Fax +370 5 2330084
info.baltic@pentair.com

MAGYARORSZÁG

Tel. +36 1 253 7617
Fax +36 1 253 7618
saleshu@pentair.com

NEDERLAND

Tel. 0800 0224978
Fax 0800 0224993
salesnl@pentair.com

NORGE

Tel. +47 66 81 79 90
Fax +47 66 80 83 92
salesno@pentair.com

ÖSTERREICH

Tel. 0800 297410
Fax 0800 297409
info-ptm-at@pentair.com

POLSKA

Tel. +48 22 331 29 50
Fax +48 22 331 29 51
salespl@pentair.com

REPUBLIC OF KAZAKHSTAN

Tel. +7 495 926 18 85
Fax +7 495 926 18 86
saleskz@pentair.com

РОССИЯ

Тел. +7 495 926 18 85
Факс +7 495 926 18 86
salesru@pentair.com

SERBIA AND MONTENEGRO

Tel. +381 230 401 770
Fax +381 230 401 770
salesee@pentair.com

SCHWEIZ / SUISSE

Tel. 0800 551308
Fax 0800 551309
info-ptm-ch@pentair.com

SUOMI

Puh. 0800 11 67 99
Telekopio 0800 11 86 74
salesfi@pentair.com

SVERIGE

Tel. +46 31 335 58 00
Fax +46 31 335 58 99
salesse@pentair.com

TÜRKIYE

Tel. +90 530 977 64 67
Fax +32 16 21 36 04
ptm-sales-tr@pentair.com

UNITED KINGDOM

Tel. 0800 969013
Fax 0800 968624
salesthermaluk@pentair.com



WWW.PENTAIRTHERMAL.COM

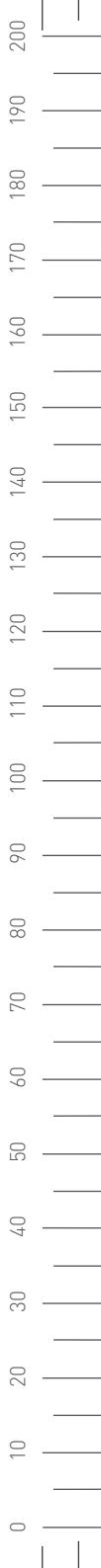
All Pentair trademarks and logos are owned by Pentair or its global affiliates. Pentair reserves the right to change specifications without prior notice.

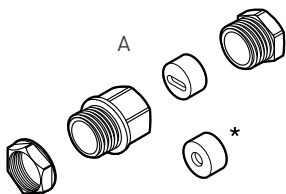
© 2013-2015 Pentair.



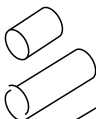
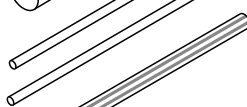
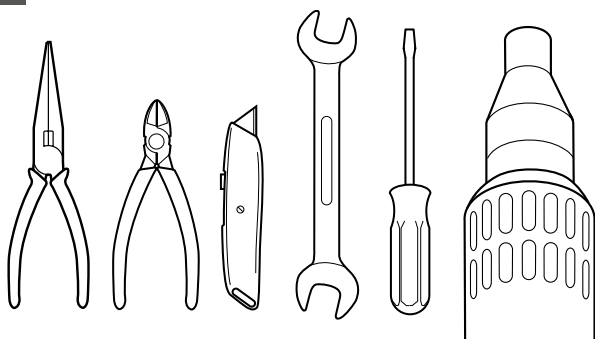
Raychem CE20-01
CE20-03



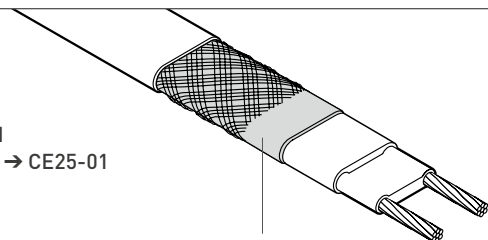


A

*CE20-03 only

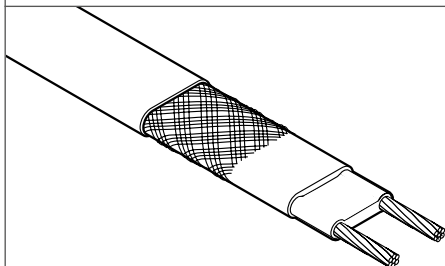
B**C****D****E****G****B****C**

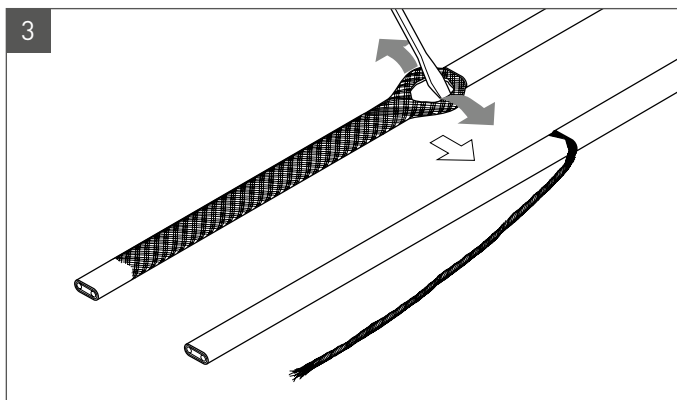
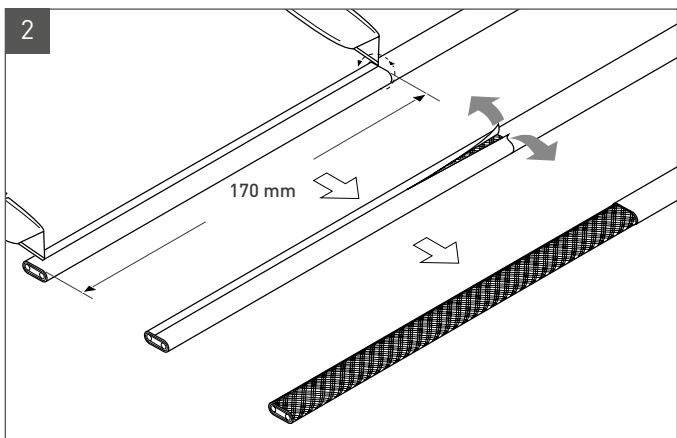
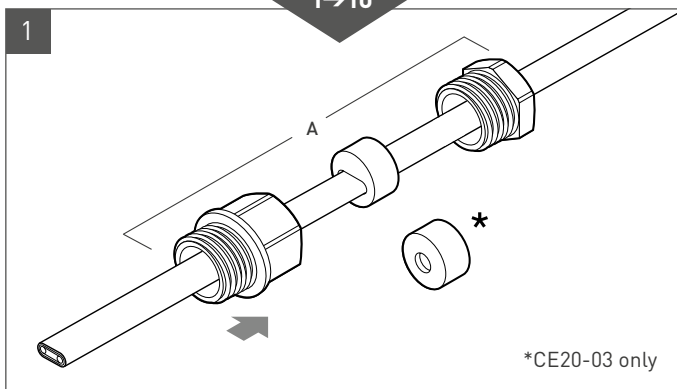
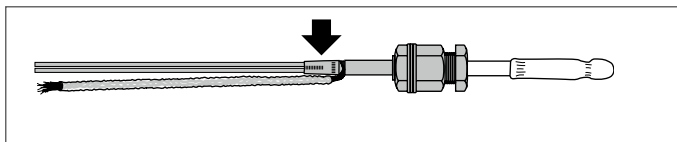
HWAT-L
 HWAT-M
 HWAT-R → CE25-01



Aluminium

FS-A-2X
 FS-B-2X
 FS-C-2X
 FS-C10-2X
 GM-2X
 FroStop Black
 FroStop Green
 LC2-10-CR
 FreezeGard-W32
 FreezeGard-W52
 R-ETL-A

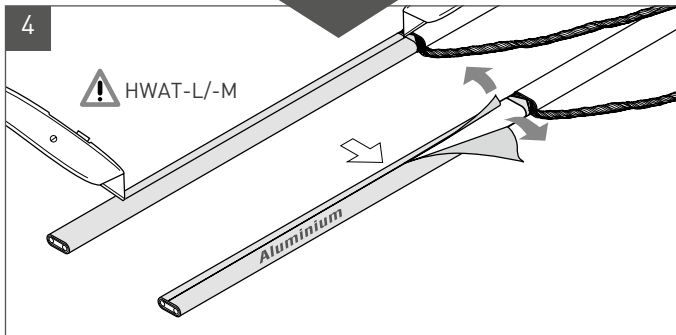






HWAT-L/-M

4

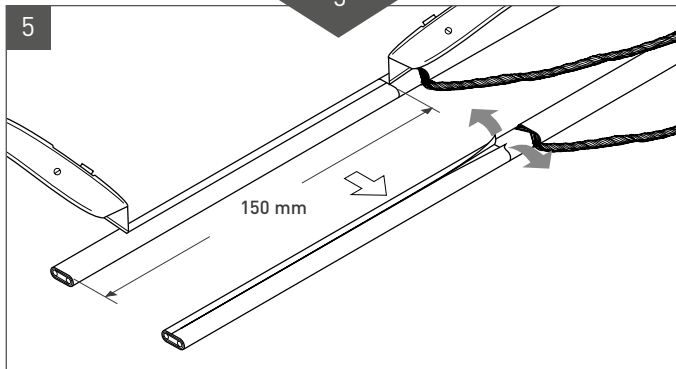


FS-A-2X
FS-B-2X
FS-C-2X
FS-C10-2X
GM-2X

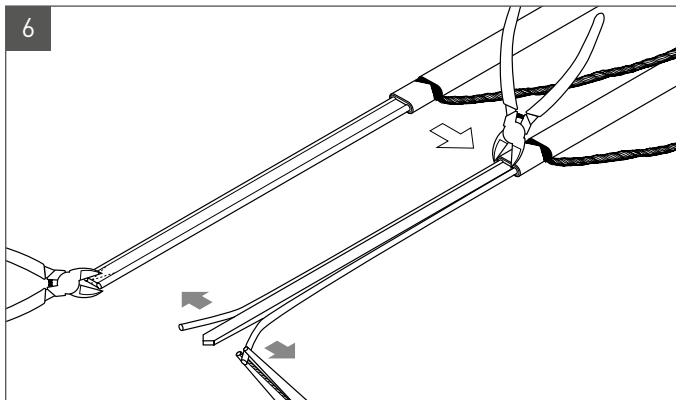
FroStop Black
FroStop Green
LC2-10-CR
FreezeGard-W32
FreezeGard-W52

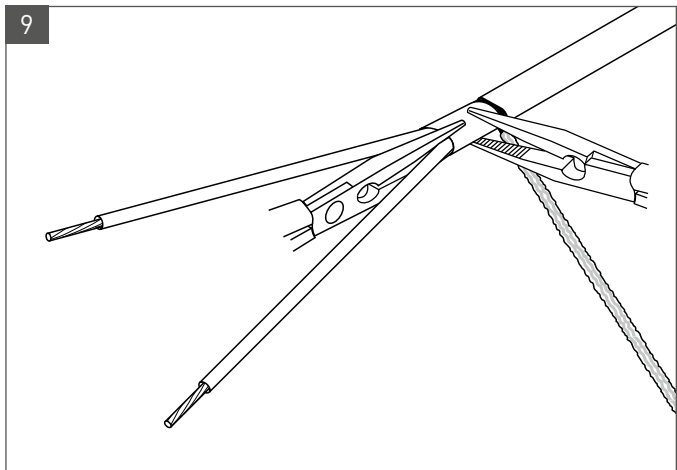
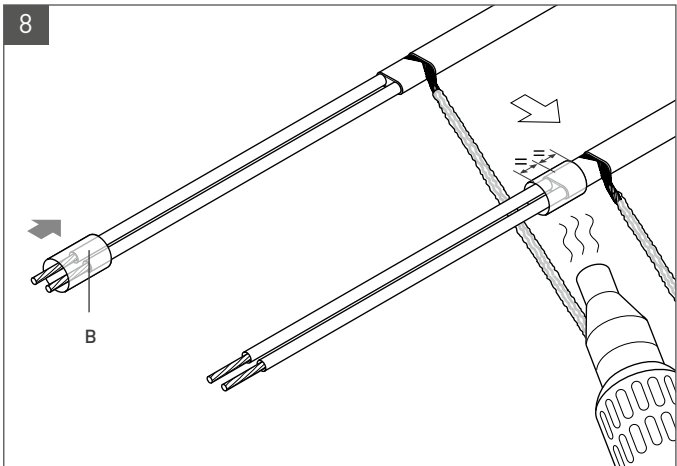
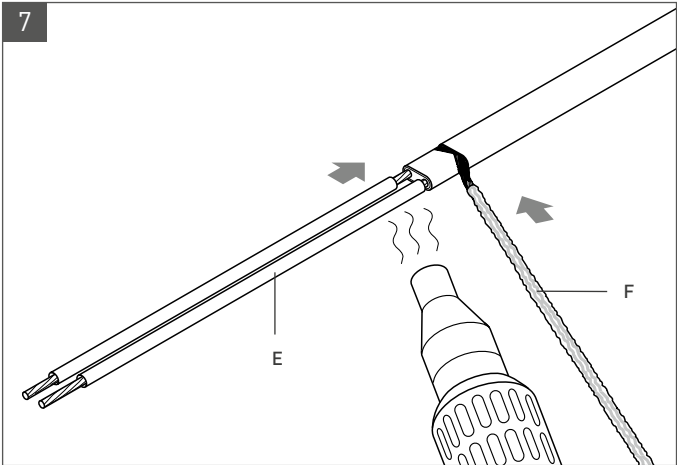
HWAT-L
HWAT-M
ETL-A

5

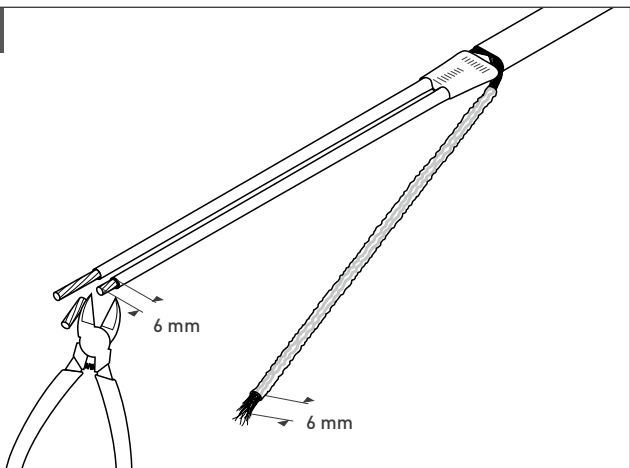


6

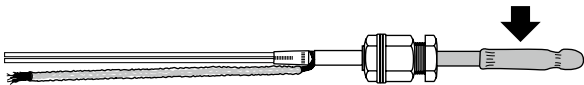




10



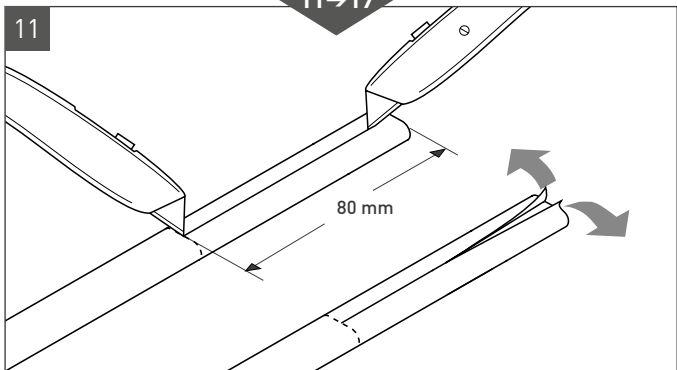
CE20-03 → 20



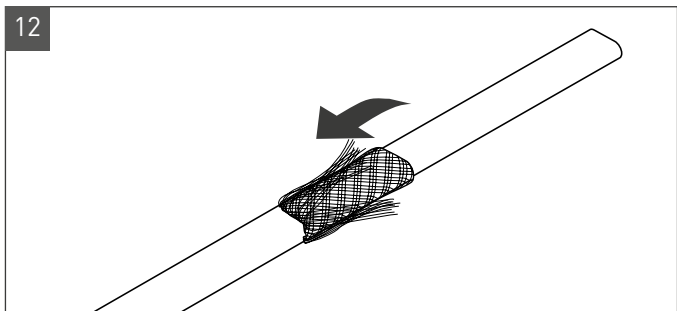
CE20-01

11→19

11



12





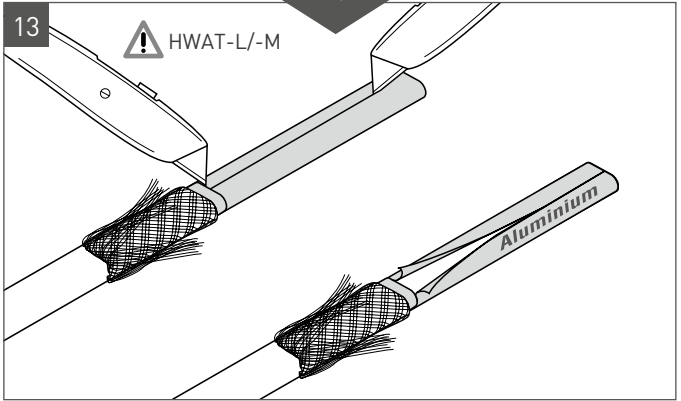
HWAT-L/-M

13

13



HWAT-L/-M



FS-A-2X
FS-B-2X
FS-C-2X

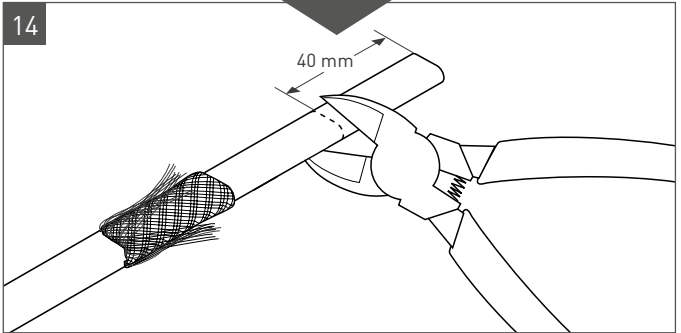
FS-C10-2X
GM-2X
FroStop Black

FroStop Green
HWAT-L
HWAT-M

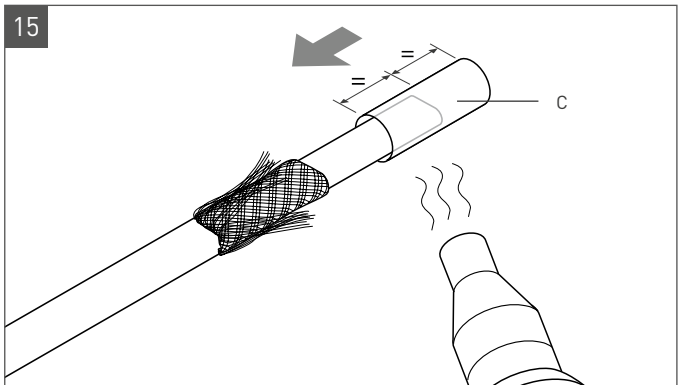
14

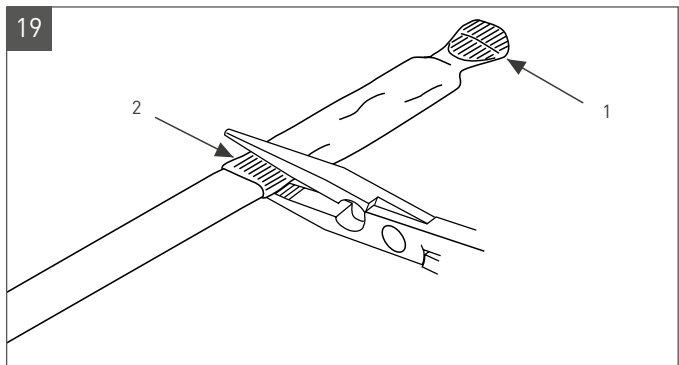
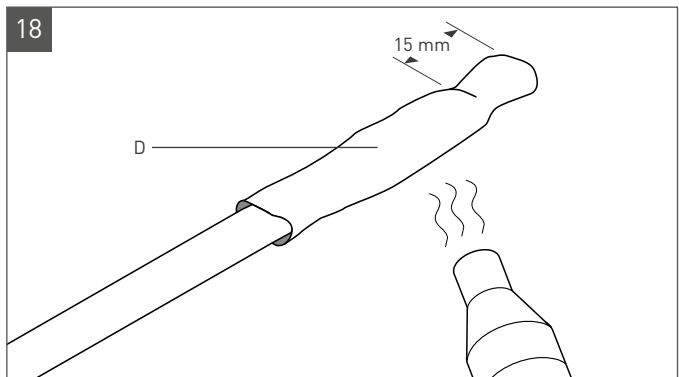
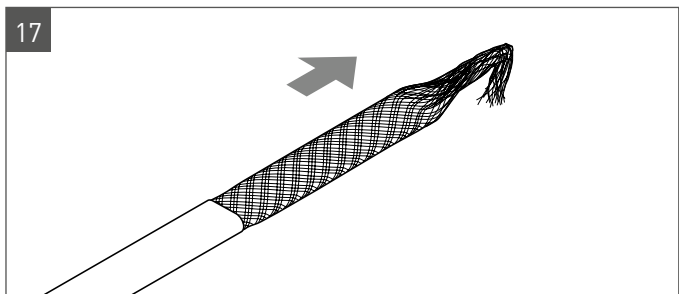
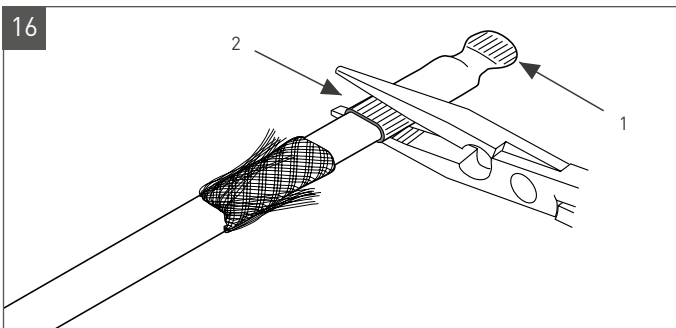
14

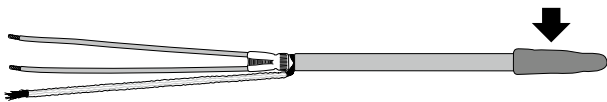
40 mm



15

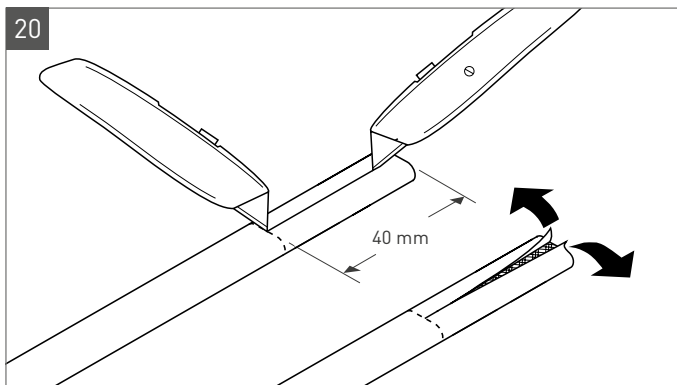




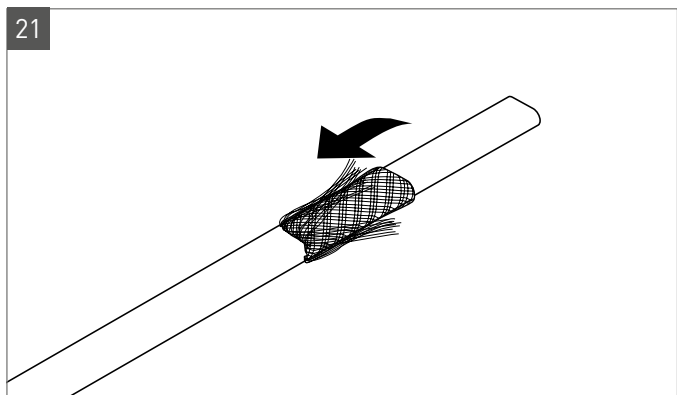


CE20-03

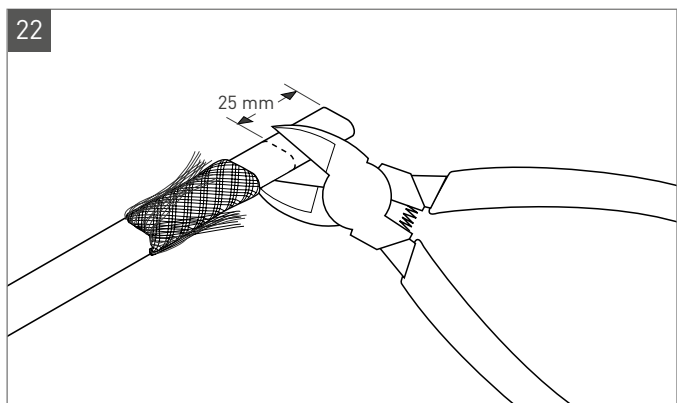
20



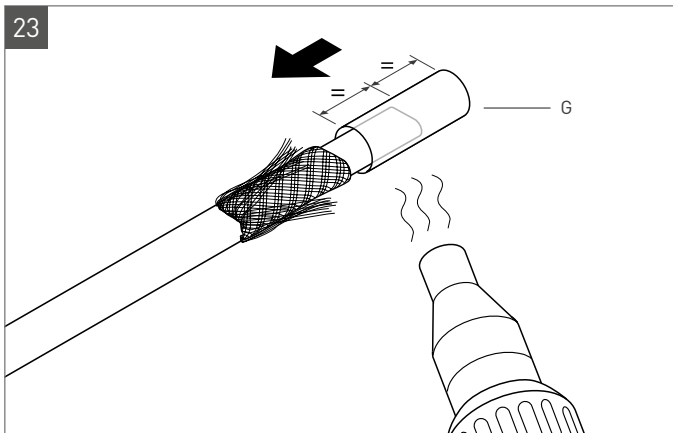
21



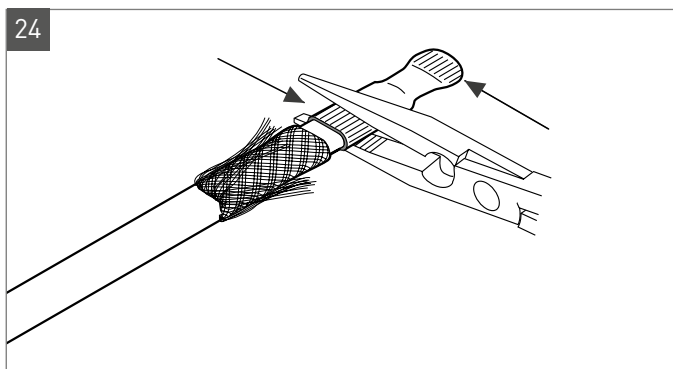
22



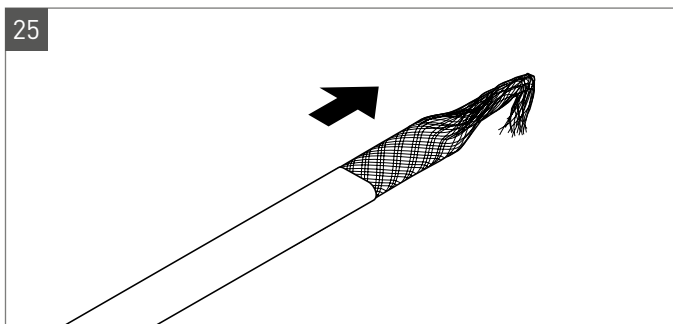
23



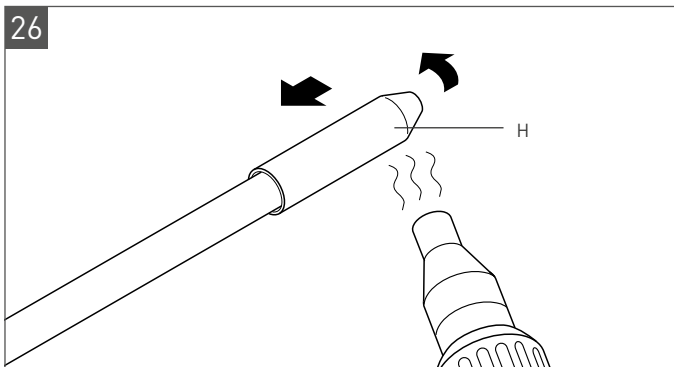
24



25



26



27

