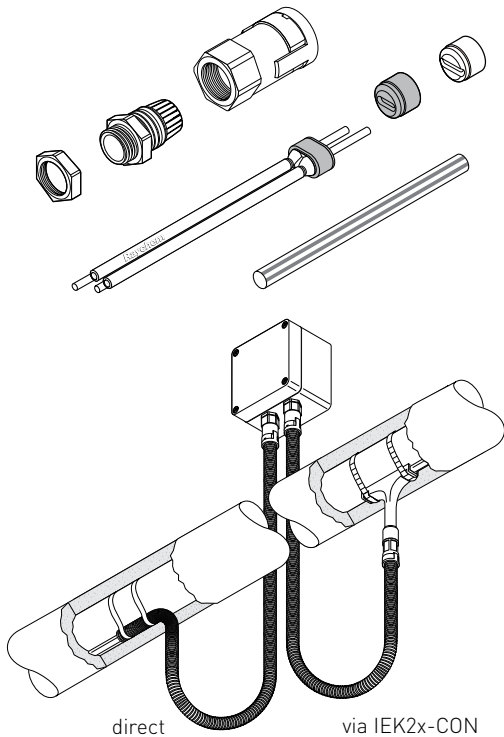


Raychem CCON25-100

COLD APPLIED CONDUIT CONNECTION KIT



This connection kit is designed for terminating all Raychem BTV, QTVR, XTV, KTV and VPL parallel industrial heating cables to a junction box, whilst maintaining electrical insulation of the heating cable conductors and core as well as providing a reliable and sealed connection to a conduit system. It is approved for use in hazardous locations.

The conduit system will provide supplementary mechanical protection of the heating cable between a junction box and the entry into the insulation. The conduit connection is fast and reliable and allows simple installation whilst maintaining an IP66 seal. The kit can be used with various types of conduits which can be cut-to-length as required in the field. The core sealing boot for the heating cable does not require a heat gun or torch for the installation (no need for a hot work permit). The non-curing sealant (silicone free) allows easy installation and facilitates maintenance purposes.

The conduit and eventually required insulation entry kit needs to be purchased separately.



APPLICATION

Connection kit with conduit adaptor for BTV, QTVR, XTV, KTV and VPL parallel industrial heating cables

KIT CONTENTS

1 gland body,	1 core sealer,
1 conduit adaptor including safety retention clip,	1 green/yellow tube,
2 grommets,	1 installation instruction (multilingual)
1 locknut,	

APPROVALS

SEV 05 ATEX 0147U
 II 2G Ex e IIC Ta -55...+40°C
 II 2D Ex tD A21 IP66 Ta - 55...+40°C
 TC RU C-BE.ME92.B.00056



CCON25-100

PRODUCT SPECIFICATION

Area classification	Hazardous, Zone 1, Zone 2 (Gas), Zone 21, Zone 22 (Dust)
Thread size	M25 x 1.5
Conduit compatibility	ND 23 mm, Pentair conduits type CCON25-C...
Ambient temperature	-55°C to +40°C
IP ingress protection rating	IP66
Surface resistance	< 1GΩ according to the requirements of EN 60079-0 and EN 61241-0 for use in hazardous areas

ORDERING DETAILS

Part description	CCON25-100
PN (weight)	1244-003272 (0.075 kg)

ACCESSORIES

	For suitable conduits and insulation entry kits refer to the datasheet for CCON2x-C...
--	--



WWW.PENTAIRTHERMAL.COM

EUROPE, MIDDLE EAST, AFRICA

Tel: +32.16.213.511
Fax: +32.16.213.603
thermal.info@pentair.com

UNITED KINGDOM

Tel: 0800 969 013
Fax: 0800 968 6241
salesthermaluk@pentair.com

IRELAND

Tel: 1800 654 241
Fax: 1800 654 240
salesie@pentair.com

Pentair is owned by Pentair or its global affiliates. All other trademarks are the property of their respective owners. Pentair reserves the right to change specifications without prior notice.

© 1998-2016 Pentair.