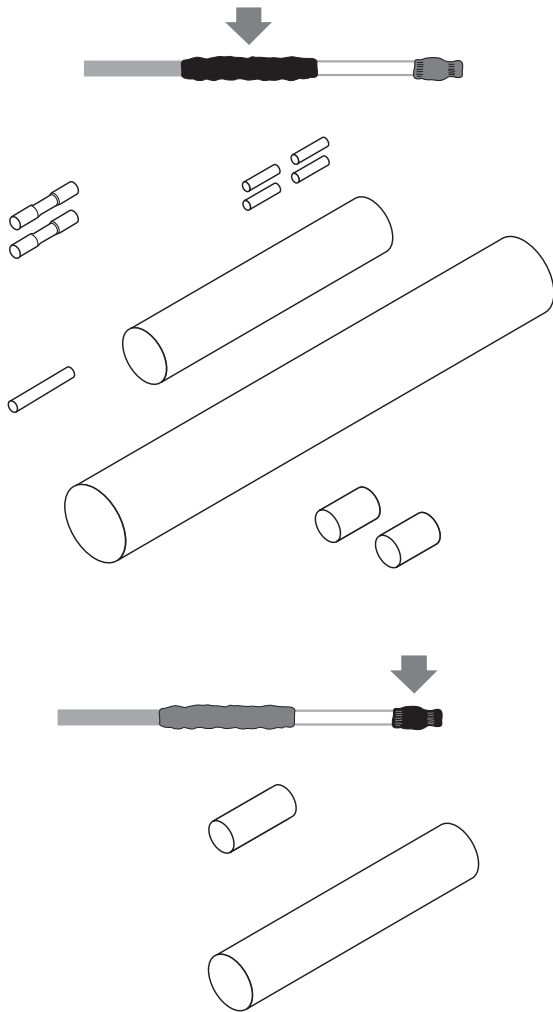


COLD LEAD/SPLICE CONNECTION AND END SEAL KIT



The nVent RAYCHEM CSE-05-DR kit combines the following:

- in-line connection of a BSA heating cable to a flexible power cable, or in-line joining of 2 BSA heating cables, and
- end termination of the BSA heating cable.

This kit is designed for use in ordinary area (non hazardous).

It employs easy to use heat-shrinkable tubing with an adhesive, that when heated forms a semi-flexible moisture proof encapsulation.

Electrical continuation is maintained via crimps for the conductors and another crimp connection for the drainwire of the heating cable.

Due to its low profile design the finished power or splice connection and end seal can be installed under the insulation, directly on the pipe.

APPLICATION

In-line cold lead/splice connection and end seal kit for BSA heating cable in ordinary area

KIT CONTENTS

Heat-shrinkable adhesive coated sleeves, insulation sleeves, crimps and installation instruction

PRODUCT SPECIFICATIONS

Max. exposure temperature during operation	85°C
Maximum current rating	32 A
Dielectric strength	1.3 – 3.5 MV/m
Volume resistivity	10 ¹² Ω cm
Final dimensions	length approx. 200 mm
Minimum Installation Temperature	-10°C

INSTALLATION DETAILS

Heat shrinkable tubing	125°C
Gas torch or equivalent	min. 1460 W hot air gun

ORDERING DETAILS

Part description	CSE-05-DR
PN (Weight)	1244-021440 (0.05 kg)