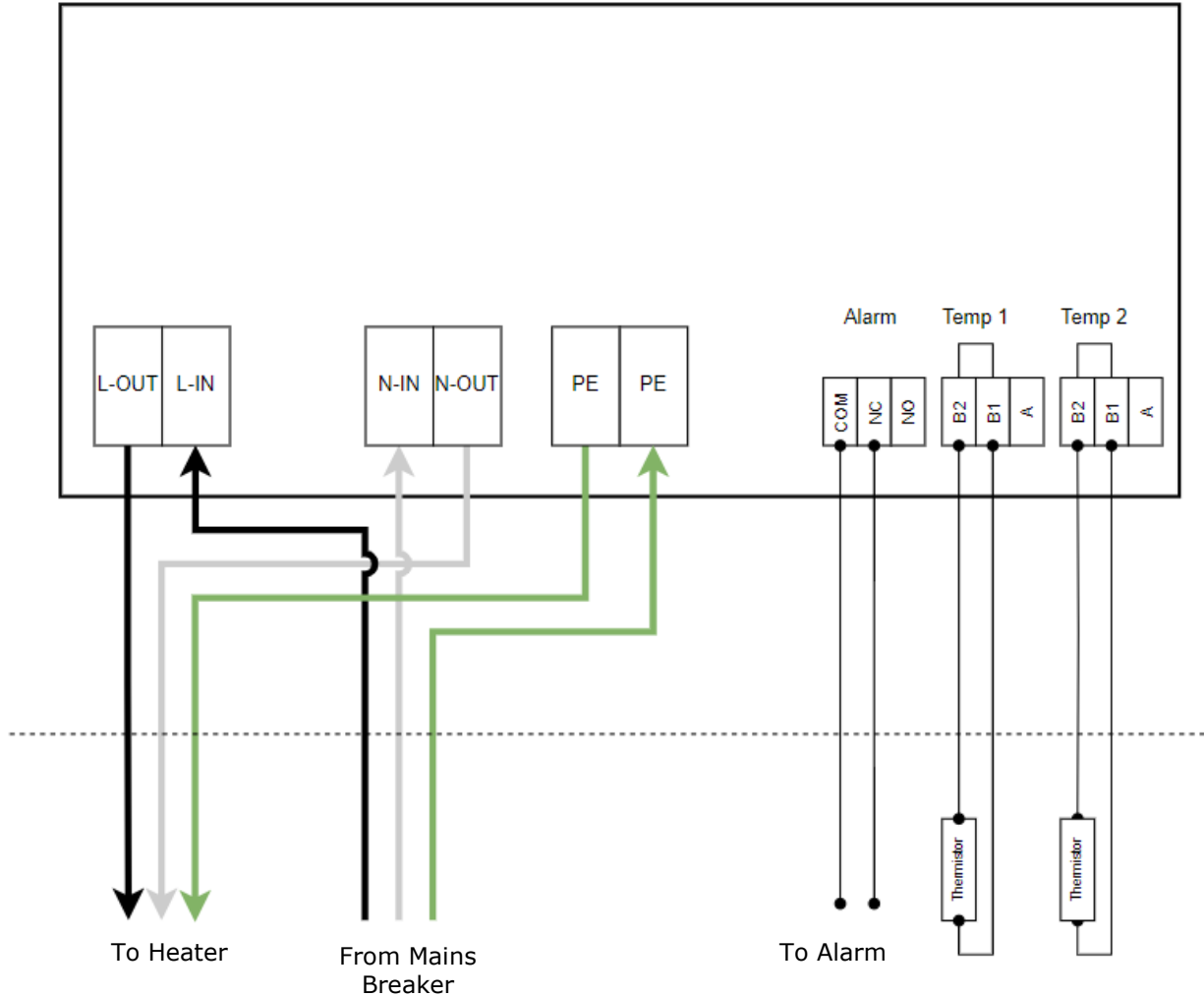




# EXO TOUCH™ SYSTEM WIRING DIAGRAM



## Wiring Specifications

**Power Wiring** - 16 AWG/1.3 mm<sup>2</sup> (min.) to 6 AWG/13.3 mm<sup>2</sup> (max.)

**Other Wiring** - 24 AWG/0.2 mm<sup>2</sup> (min.) to 16 AWG/1.3 mm<sup>2</sup> (max.)