



PRODUCT SPECIFICATIONS

# TC-Ambient AMBIENT SENSING THERMOSTAT

## APPLICATION

The TC-Ambient thermostat is designed to provide ambient sensing control of electric heat tracing circuits for freeze protection of piping and vessels. This adjustable thermostat can be used to control a single heating circuit or as pilot control of a contactor switching multiple heat tracing circuits.

Indicating lamps for power-on and heater-on are visible through a transparent cover. A rugged nonmetallic enclosure, suitable for harsh industrial environments, provides watertight and dusttight protection (per IP65) to the thermostat switch. External hardware is stainless steel.

The TC-Ambient thermostat meets requirements for use in nonhazardous locations.

## RATINGS/SPECIFICATIONS

Voltage rating .....	400 Vac
Switch rating	
230 Vac .....	16 A (Ohmic, NC contact)
400 Vac .....	10 A (Ohmic, NC contact)
Operating ambient temperature .....	-30° to +55° C
Switch type .....	SPDT
Electrical connection <sup>1</sup> .....	terminal block <sup>2</sup>
Adjustable control range.....	0°C to 40°C
Maximum control differential.....	±4°C
Maximum bulb exposure temperature.....	130°C
Bulb dimensions .....	10 x 120 mm
Bulb material .....	stainless steel
Approximate weight.....	1.5 kg

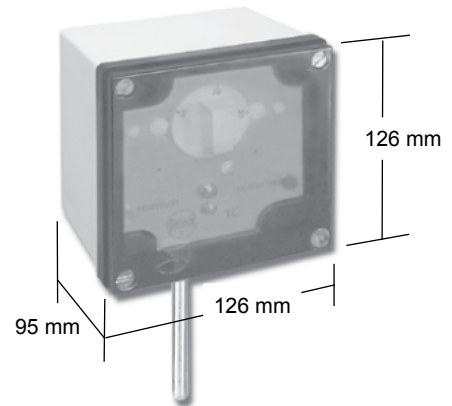
### Notes

1. The TC-Ambient utilizes two M25 entries and is shipped with an M25-PWR-IND power gland and an M25-B-IND blind plug that can be replaced with an M25 gland to permit power or heating cable connection. Refer to Form TEP0057U for additional accessories.
2. Terminal block consists of four 4-mm<sup>2</sup> line/load terminals and one 4-mm<sup>2</sup> PE terminal.



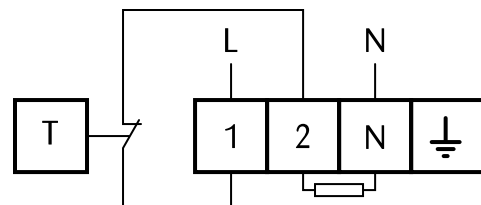
TC-Ambient (with transparent cover)

## CERTIFICATION/APPROVAL



TC-Ambient (with transparent cover)

## TYPICAL WIRING DIAGRAM



**THERMON The Heat Tracing Specialists®**

TC-E B.V. • Buitendijk 37 • 3356 LX Papendrecht • The Netherlands • Phone: +31 (0) 183-20 10 88 • E-mail: sales@tc-e.nl • www.tc-e.nl